



Programme ICN
Grande Ecole

G. Duffing

2016

WELCOME to ICN PGE 2A - Nürnberg

Agenda

- Fundamentals
- Teaching Units
- Quitus
- International & Languages
- Gap Year
- ICN Year 3

PGE
=
Programme Grande Ecole
=
Master in Management
=
French State accredited!

Admission Tracks

- According to French law & regulations:
 - All admissions at ICN must comply with a *competitive exam*

- French ICN students
 - “Concours” → ICN1 / **ICN2** → ICN3

- Foreign students
 - **IPM2** (= ICN2 !) → “AST” Competitive Exam → ICN3

Competitive exam

■ For IPM students only, according to our rules, entering the PGE requires a twofold competitive exam:

■ Written part: GMAT + English

■ Students who validate IPM do not need to take the exams above!

■ Oral part: English + Motivation

■ An interview in Nürnberg, in May.

Programme General Structure

ICN2/IPM/M1		ICN3/M2/ (MSc)	D.D. ...
S3	Optional Gap Year	S5	S7
S4		S6	S8

Gap year is optional, upon your request, and needs to be approved.

Year 2 & Gap Year

SEMESTER 1

SEMESTER 2

ICN 2

Fundamentals & Specialisation

Workshop

Specialization & Workshop

Internship

Expériences

Professional & Academic

Professional experience,
Academic Semester,
Other activity...

Professional experience,
Academic Semester,
Other activity...



Personal Tutoring

Your Year 2 in Nürnberg

Some key points...

- Complete your training
- **Make your professional project more precise** with specialization, workshop, meetings
- **Prepare your optional gap year**
- Start thinking about your master's thesis

... and requirements

- The *examinations rules*

Fundamentals

- A **year**= 60 ECTS credits, that is 2 semesters of 30-credits
- An **semester**= a set of Teaching Units (TU)
- A **TU**= a set of teaching **modules**

Examinations

Each module organizes assessments:

- Continuous assessment, final exam (written or oral), report, participation...
- One single grade is calculated for each module
- 👉 Disqualifying grade: 5/20

TU is also assessed by a grade (average of modules grades)

- TU grade $\geq 10/20$: PASS
- TU grade < 10 : FAIL

Retake session

👉 **Caution!**

Evaluation documents

ICN1 internship

- Report, evaluated in Year 2 (due date: mid October)

Long internship (G/Y or Year 3)

- “Long” = at least 5 months
- Assessment scheme: enterprise + school
- For each experience.

Int’l Academic Semester

- University Transcript

Assessment Board

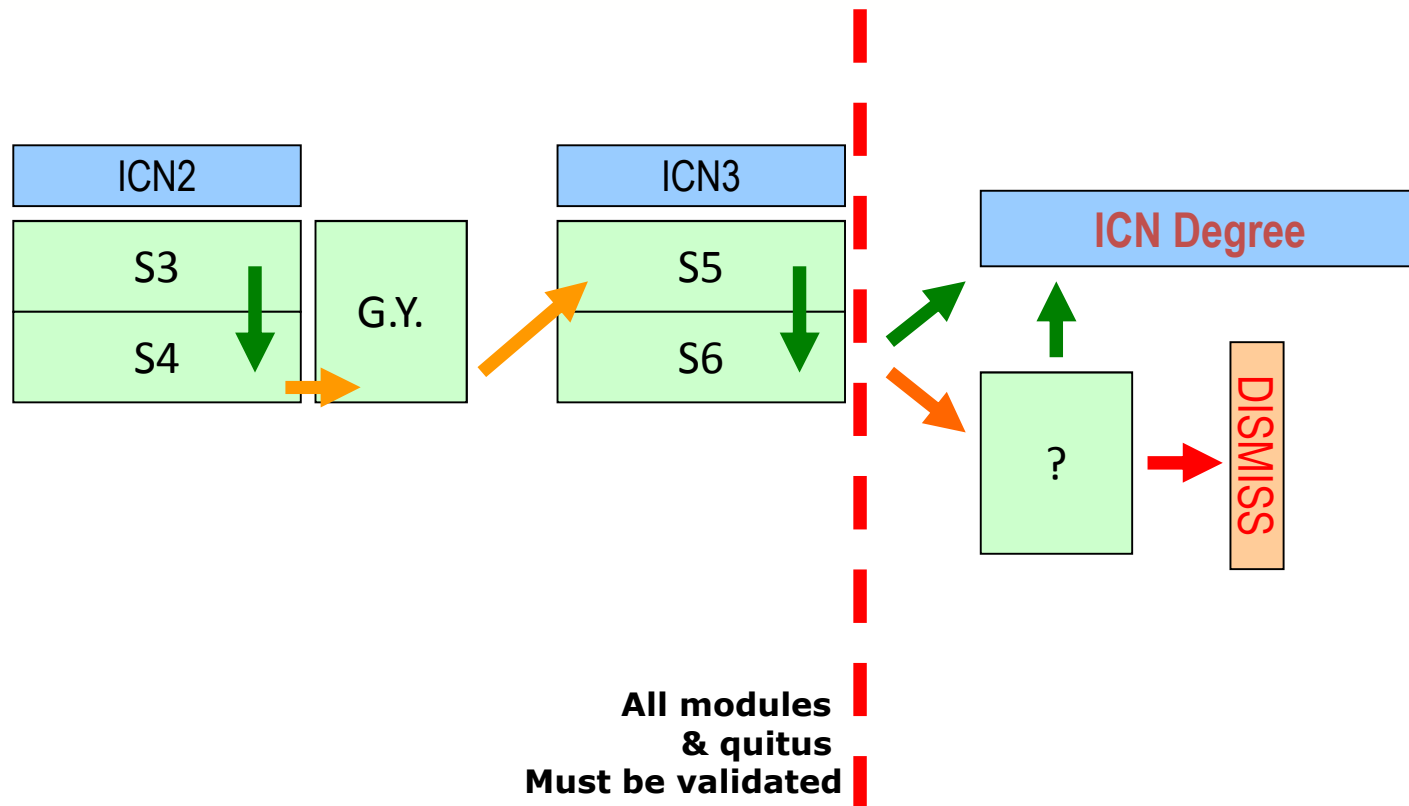
Examines results and decides:

- PASS: go to Year 3
- FAIL: year or semester repeat
 - Retake sometimes difficult!
- DISMISS: no possibility to continue in ICN PGE Programme

Discipline Board

- Regulations break
- Inadequate behavior (school, internship, academic, ...)
- Plagiarism, fraud

Longest degree course



A module consists in.....

- **A textbook**
 - **Some preparation**
 - **Questions & debates** during course sessions
 - **Further study**
 - **Skills & competencies evaluation**
- Libraries, book shops, Internet, e-Learning...
 - Meetings & discussions with professors

MANAGEMENT 1 (6 ECTS)

- Organizational Behavior
- Intercultural Communication
- Management Control

MANAGEMENT 2 (6 ECTS)

- Strategic Marketing
- Investment & Financing Decision
- Management Accounting

TOOLS & METHODS (8 ECTS)

- Information Systems Management
- Business Environment
- Data Analysis

ARTEM (7 ECTS)

- Workshop
- Project Management

PERSONAL DEVELOPMENT (3 ECTS)

- German or French
- Professional Skills

MANAGEMENT 1 (4 ECTS)

- Strategic Analysis
- Risks & Evaluation

MANAGEMENT 2 (5 ECTS)

- Industrial & Services Marketing
- Intercultural Management
- Organizational Design

Year 2 / S4 (cont'd)

SPECIALISATION (12 ECTS)

- Three modules

ARTEM (5 ECTS)

- Workshop

PERSONAL DEVELOPMENT (4 ECTS)

- German or French
- Elective

Year 3

- Marketing and Brand Management: go further in your route
- Other Marketing Routes
- ICN MSc, in Nancy or Nuremberg
- ... And ICN selection of UP, for 1 semester or 2 (double degrees)

International

Studying in Nürnberg validates your Int'l
Quitus

Academic semester abroad is possible

- 150 universities, Double Degrees, MSc IM/MIEX
- Erasmus (European Union)



GREAT opportunities for your Professional & Personal Profile!

Quitus

ICN Quitus correspond to **mandatory** activities

 *All must be validated by the end of Year 3 (before board meets!)*

Quitus to validate:

- **English:** TOEIC, TOEFL or GMAT
- **International :** done!
- **Professional :** 9 months
 - Generally: 3 months in 1A / 2A + 6 months during G/Y + 6 months in Year 3

Academic semester(s)

■ **When?** G/Y, S5, S6

■ **Caution:** in case of an academic stay during a gap year:

■ No Erasmus scholarship in Europe.

■ ECTS credits cannot be taken into account.

■ **Further information:**

■ Service des Relations Internationales, in Nancy.

Professionnal quitus

- **General case**: 9 months total, including a *long* experience.

- Specific cases: see MyICN

- Professional experience:

- Can be done under an internship agreement, or any other contract (CDD, CDI, VIE, ...)

- The mission must be validated by your tutor.

Internships and gap year

■ The gap year is optional. It does not « count »

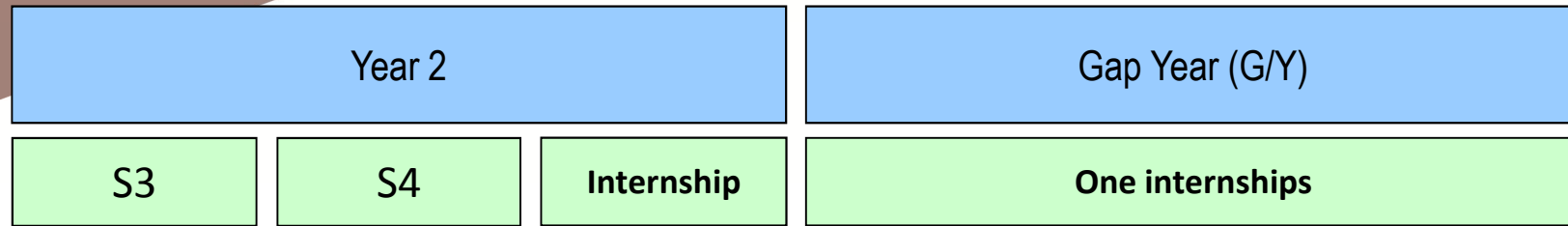
■ You must apply for a gap year

■ You can do whatever you want during a gap year...

■ **BUT: internships** are restricted:

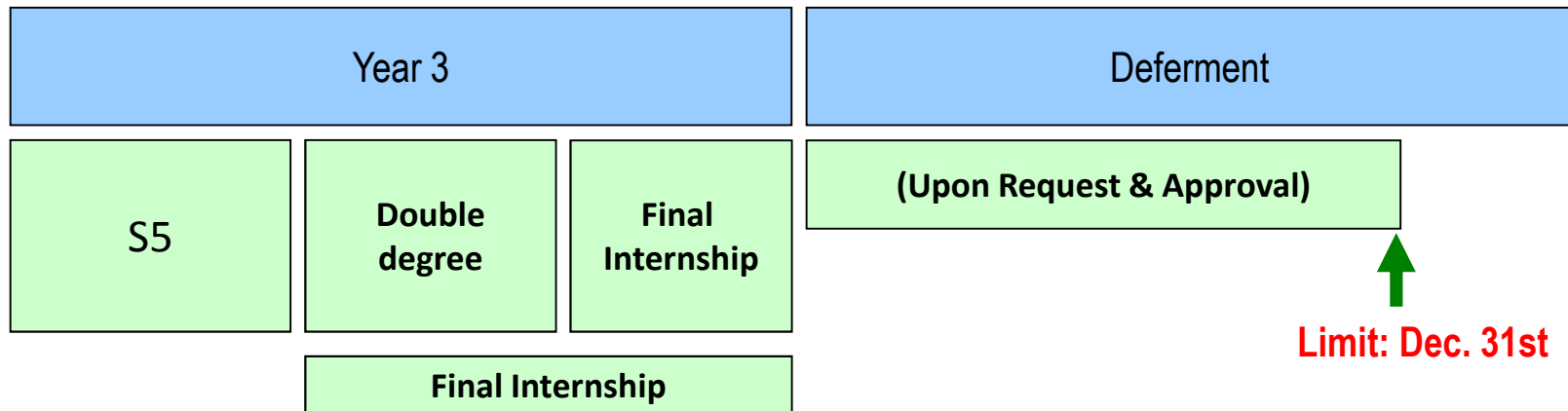
- OK, if linked to Year 2 (M1), ie begins before Aug. 31st of M1.
- OK, if an academic semester is planned (requires 200 hours of class contact)
- Consequently, two internships are not allowed
- Any other form of contract is OK

Internship Regulations



*One internship =
maximum 6 months*

Limit: Aug. 31st or Year start date



Limit: Sep. 30th

Limit: Dec. 31st

Professional experience assessment

■ EACH experience must be assessed separately

- Evaluated by School + enterprise

■ For each experience

- Only a self assessment, plus a synthesis
- Collect information (5 notes recommended)
- At the end of the programme: one single big report (“portfolio”).

■ Prof’l Quitus validation

- **At the end of the programme, after examination of all internships.**

Guidance

- Long experience (G/Y or Year 3)
 - One single guide

- Academic Semester
 - Depends on the P.U. regulatory rules

- Master's Thesis
 - One guide & related documents (*new e-Learning platform*)

Think about it asap!

- Work *in tandem*
- Preparatory readings
- Experiences to exploit (G/Y)
- Precise Requirements

- Always a last minute problem !!

Who's who/ contacts

- Academic affairs:
 - *Your tutor, or*
 - *Pr responsible for your specialization*

- Administration:
 - Registrar: contact = **Tabithe Hudspeth** (D) /
 - Dir. = Andre Schlipp (D), Valérie Coutal (FR)
 - Prog. Dir.: contact = **Sabrina Divoux** (FR)
 - Dir. = Gérald Duffing (F)

Thank You!



CONTACT

☎ 0354502500

✉ contact@icn-groupe.fr

www.icn-groupe.fr

Q & A



CREATIVE THINKING MAKES THE DIFFERENCE*

*La créativité fait la différence